

DEARBORN
Mowers

Figure 2 - Dearborn Rear Attached Mower (Model 14-16)

DEARBORN *Mowers*

MODELS 14-15 and 14-16

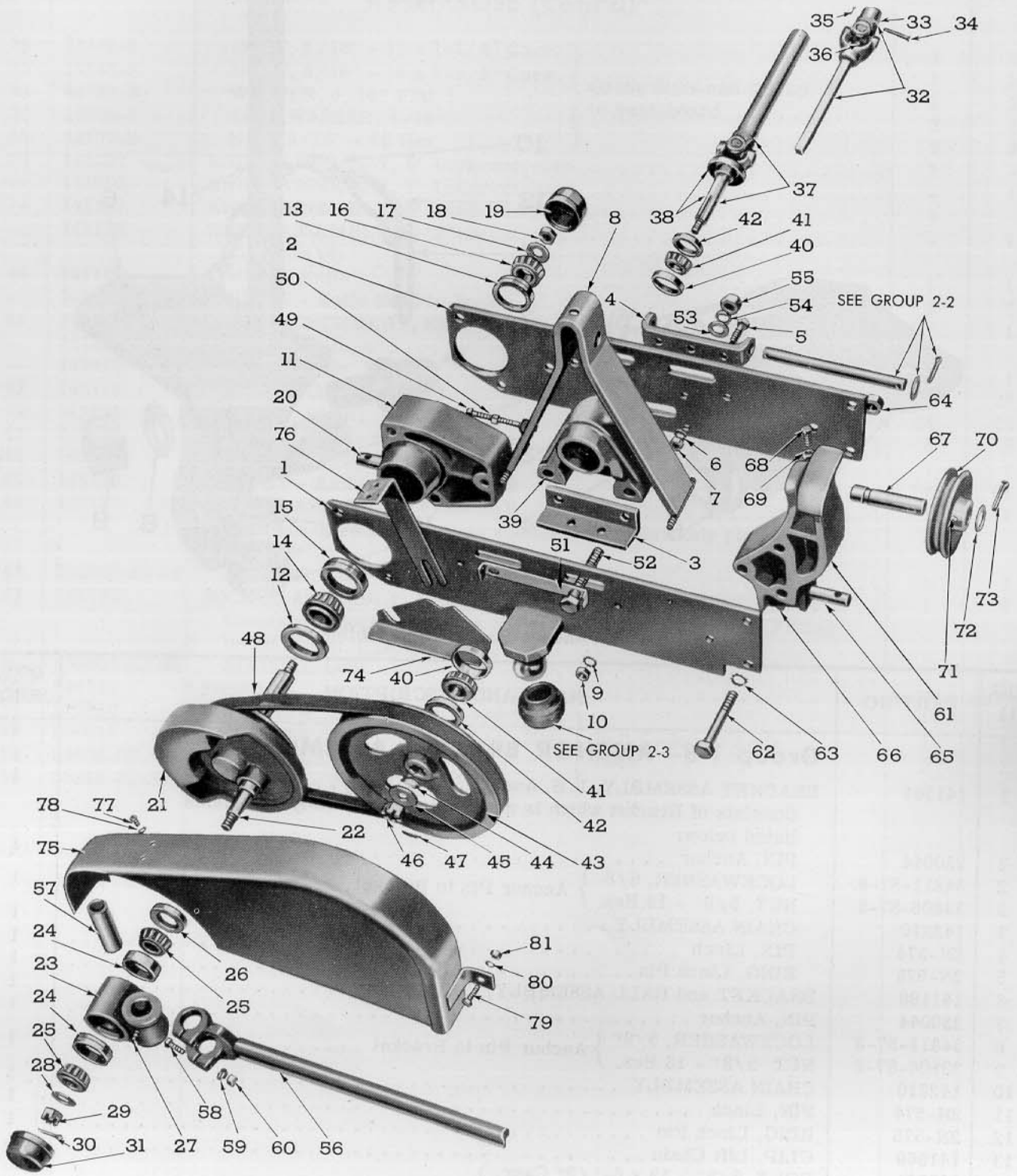


Figure 12 Main Drive

DEARBORN *Mowers*

MODELS 14-15 and 14-16

Group 2—DEARBORN REAR ATTACHED MOWERS

Models 14-15 and 14-16

FIG. 12	PART NO.	NAME AND DESCRIPTION	QTY. REQ.
Group 2-1—MAIN DRIVE			
1	142587	RAIL and BALL PLATE, Side, Rear (Welded Assembly)	1
2	142583	RAIL, Side, Front	1
3	142592	BRACKET, Angle	1
-	142593	BOLT, 1/2" - 20 x 1-3/4" Hex. Hd.	2
-	34944-S7-8	LOCKWASHER, 1/2" Shakeproof	4
-	33846-S7-8	NUT, 1/2" - 20 Hex.	2
-	142586	BOLT, 1/2" - 13 x 1-1/2" Hex. Hd.	} Angle Bracket to Rear Side Rail
-	34944-S7-8	LOCKWASHER, 1/2" Shakeproof	
-	33845-S	NUT, 1/2" - 13 Hex.	
4	142584	BRACKET, U	} Angle Bracket to Front Side Rail
5	142586	BOLT, 1/2" - 20 x 1-1/2" Hex. Hd.	
6	34944-S7-8	LOCKWASHER, 1/2" Shakeproof	
7	33846-S7-8	NUT, 1/2" - 20 Hex.	} U Bracket to Front Side Rail
8	142594	ARM (Welded Assembly)	
9	34944-S7-8	LOCKWASHER, 1/2" Shakeproof	} Arm to Front and Rear Side Rails
10	33846-S7-8	NUT, 1/2" - 20 Hex.	
11	142770	HOUSING ASSEMBLY, Flywheel Bearing	1
Consists of Housing which is not serviced separately plus items listed below:			
12	7W4616	CUP, Bearing	1
13	B1202	CUP, Bearing	1
--	142609	BOLT, 5/8" - 18 x 4" Hex. Hd.	} Housing to Front and Rear Side Rail
--	34946-S7-8	LOCKWASHER, 5/8" Shakeproof	
--	33850-S7-8	NUT, 5/8" - 18 Hex.	
14	141305	CONE, Bearing	1
15	9N-750	SEAL, Bearing Oil	1
16	141326	CONE, Bearing	1
17	141327	WASHER, Flat	} Flywheel to Housing
18	33860-S7	NUT, 5/8" - 18 Hex. Slotted	
--	72035-S7-8	COTTER PIN, 1/8" x 1"	
19	142619	CAP, Flywheel Bearing Housing	1
20	142601	PIN, Drawbar, Long	1
--	142602	SET SCREW	} Drawbar Pin to Bearing Housing
--	33910-S	NUT, 3/8" - 16 Hex. Jam	
--	87601	PLUG, 1/8" Pipe - Flywheel Bearing Housing	1
21	142720	FLYWHEEL and PITMAN PIN ASSEMBLY	1
Consists of Flywheel which is not serviced separately plus Pitman Pin listed below:			
22	141315	PIN, Pitman	1
23	142615	PITMAN BOX and BUSHING ASSEMBLY	1
Consists of Box which is not serviced separately plus Bushing listed below:			
--	142617	BUSHING	1
24	8M1217	CUP, Pitman and Flywheel Pin	2
25	8M1216	CONE, Pitman and Flywheel Pin	2
26	141322	SEAL, Pitman Pin Bearing Oil	1
--	141323	LOCK RING	1
27	353043-A-S8	FITTING, Lube	2
28	351505	WASHER, .65 x 1.25 x .15 Flat	} Pitman Pin to Box
29	33973-S	NUT, 5/8" - 18 Hex. Slotted	
30	72035-S7-8	COTTER PIN, 1/8" x 1"	
31	142618	CAP, Pitman Pin Dust	1
32		UNIVERSAL JOINT ASSEMBLY, Front	1
Consists of:			
33			
34	74027-S	PIN, Clevis	} Front Universal Joint to Tractor PTO
35	72017-S	COTTER PIN	
36			
37		UNIVERSAL JOINT ASSEMBLY, Rear	1
Consists of:			
38			
See Fig. 13	142696	SHIELD, Universal Joint	1

DEARBORN *Mowers*

MODELS 14-15 and 14-16

FIG. 12	PART NO.	NAME AND DESCRIPTION	QTY. REQ.
Group 2-1—MAIN DRIVE (Cont'd)			
39	142771	HOUSING ASSEMBLY, Drive Sheave Bearing Consists of Housing which is not serviced separately plus Bearing Cups listed below:	1
40	141228	CUP, Bearing	2
41	141229	CONE, Drive Sheave Bearing	2
42	141230	SEAL, Drive Sheave Bearing Oil	2
43	142684	SHEAVE, Drive	1
44	142685	GASKET, Drive Sheave, Cork	1
45	141235	WASHER, Flat	
46	33860-S7	NUT, 5/8" - 18 Hex. Slotted } Sheave to Shaft	1
47	72035-S7-8	COTTER PIN, 1/8" x 1" }	
48	142689	V-BELT, Main Drive	1
49	142610	SCREW	
50	33799-S8	NUT, 3/8" - 16 Hex. } Belt Adjusting	1
51	142686	PLATE, Lock	1
52	142687	BOLT, 5/8" - 18 x 4" Hex. Hd. }	
53	34721-S7-8	WASHER, 5/8" Flat }	
54	34946-S7-8	LOCKWASHER, 5/8" Shakeproof } Lock Plate and Bearing Housing to Side Rails	2
55	142688	NUT, 5/8" - 18 Hex.	
56	142623	PITMAN (Riveted Assembly)	1
See Fig. }	353043-S-S8	FITTING, Lube - Pitman	1
17 }	23565-S	BOLT, 1/2" - 20 x 2-3/4" Carr. } Pitman to Knife Head	1
57 }	142633	NUT, 1/2" - 20	
58 }	142630	PIN, Pitman Wrist	1
59 }	142631	BOLT, 3/8" - 24 x 1-5/8" Special }	
60 }	34807-S8	LOCKWASHER, 3/8" }	2
61 }	142632	NUT, 3/8" - 24	
62 }	142604	BRACKET, Cable Sheave	1
63 }	142609	BOLT, 5/8" - 18 x 4" Hex. Hd. }	
64 }	34946-S7-8	LOCKWASHER, 5/8" Shakeproof } Bracket to Front and Rear Side Rails	3
65 }	33850-S7-8	NUT, 5/8" - 18 Hex.	
66 }	142605	PIN, Drawbar, Short	1
66 }	142602	SET SCREW	
67 }	33910-S	NUT, 3/8" - 16 Jam } Drawbar Pin to Bracket	1
68 }	142606	PIN, Cable Sheave	1
69 }	142607	SET SCREW	
70 }	33910-S	NUT; 3/8" - 16 Jam } Cable Sheave Pin to Bracket	1
	142611	SHEAVE ASSEMBLY, Cable Consists of Sheave which is not serviced separately plus Fitting listed below:	1
71	353043-A-S8	FITTING, Lube	1
72	44754-S	WASHER, 1" Flat	
73	72073-S7-8	COTTER PIN, 3/16" x 1-1/2" } Cable Sheave to Pin	1
74	142608	GUARD, Grass	1
75	142716	GUARD, Belt	1
76	142725	BRACKET, Belt Guard	1
77	28966-S	SCREW, 5/16" - 24 x 3/4" Oval Hd. }	
78	34806-S	LOCKWASHER, 5/16" }	2
79	20386-S	BOLT, 5/16" - 18 x 1" Hex. Hd. }	
80	34806-S	LOCKWASHER, 5/16" }	1
81	33797-S	NUT, 5/16" - 18 Hex.	
--	142715	DECAL, Caution	As Req.

DEARBORN *Mowers*

MODELS 14-15 and 14-16

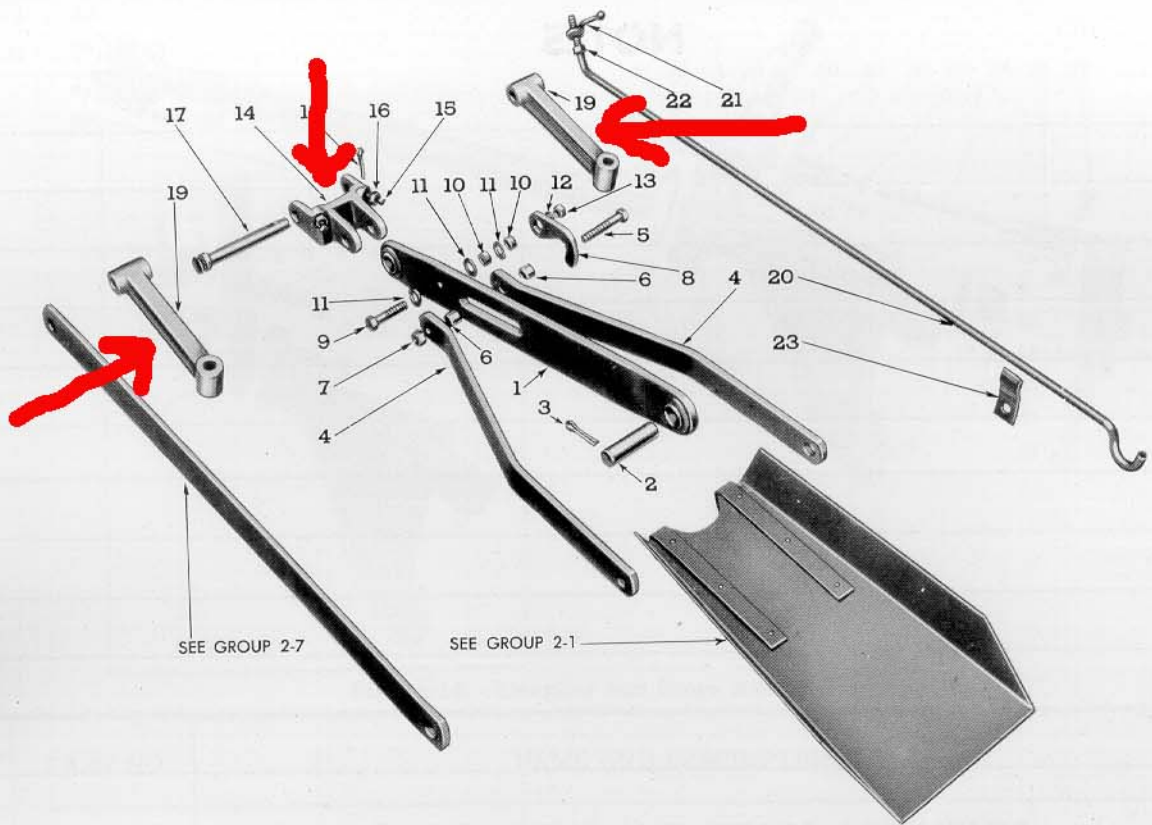


Figure 13 - Upper Link, Brackets and Anchor Straps

FIG. 13	PART NO.	NAME AND DESCRIPTION	QTY. REQ.
Group 2-2—UPPER LINK, BRACKETS AND ANCHOR STRAPS			
1	142703	LINK, Upper (Welded Assembly)	1
2	142710	PIN	1
3	72075-S	COTTER PIN, 1/4" x 1-1/2" } Upper Link to Arm	2
4	142622	STRAP, Anchor	2
5	24554-S7-8	BOLT, 1/2" - 20 x 2-3/4" Hex. Hd. } Anchor Straps to Upper Link	1
6	142666	BUSHING	2
-	34809-S7	LOCKWASHER, 1/2"	1
7	33846-S7-8	NUT, 1/2" - 20 Hex.	1
See Fig. 12	142585	SHAFT	1
8	34763-S	WASHER, 3/4" Flat	2
12	72075-S7-8	COTTER PIN, 1/4" x 1-1/2" } U-Bracket	2
8	142708	HOOK, Upper Link	1
9	24539	BOLT, 1/2" - 20 x 2-1/4" Hex. Hd. } Anchor Straps to Front Side Rail	1
10	142709	SPACER	2
11	34749-S	WASHER, 1/2" Flat	3
12	34809-S7	LOCKWASHER, 1/2"	1
13	33846-S7-8	NUT, 1/2" - 20 Hex.	1
14	141242	BRACKET, Upper Link	1
15	91474-S	SET SCREW, 3/8" - 16 x 1-1/2" Sq. Hd. } Pin to Bracket	2
16	33910-S	NUT, 3/8" - 16 Hex. Jam	
17	142711	PIN	1
18	72075-S	COTTER PIN, 1/4" x 1-1/2" } Upper Link Bracket to Tractor	1
19	142712	BRACKET, Extension	2
20	142693	ROD ASSEMBLY, Transport	1
Consists of Rod which is not serviced separately plus items listed below:			
21	141653	HANDLE, Transport Rod	1
22	33845-S	NUT, 1/2" - 13 Hex. - Handle Stop	1
23	142695	CLIP, Transport Rod to Fender	2

DEARBORN *Mowers*

MODELS 14-15 and 14-16

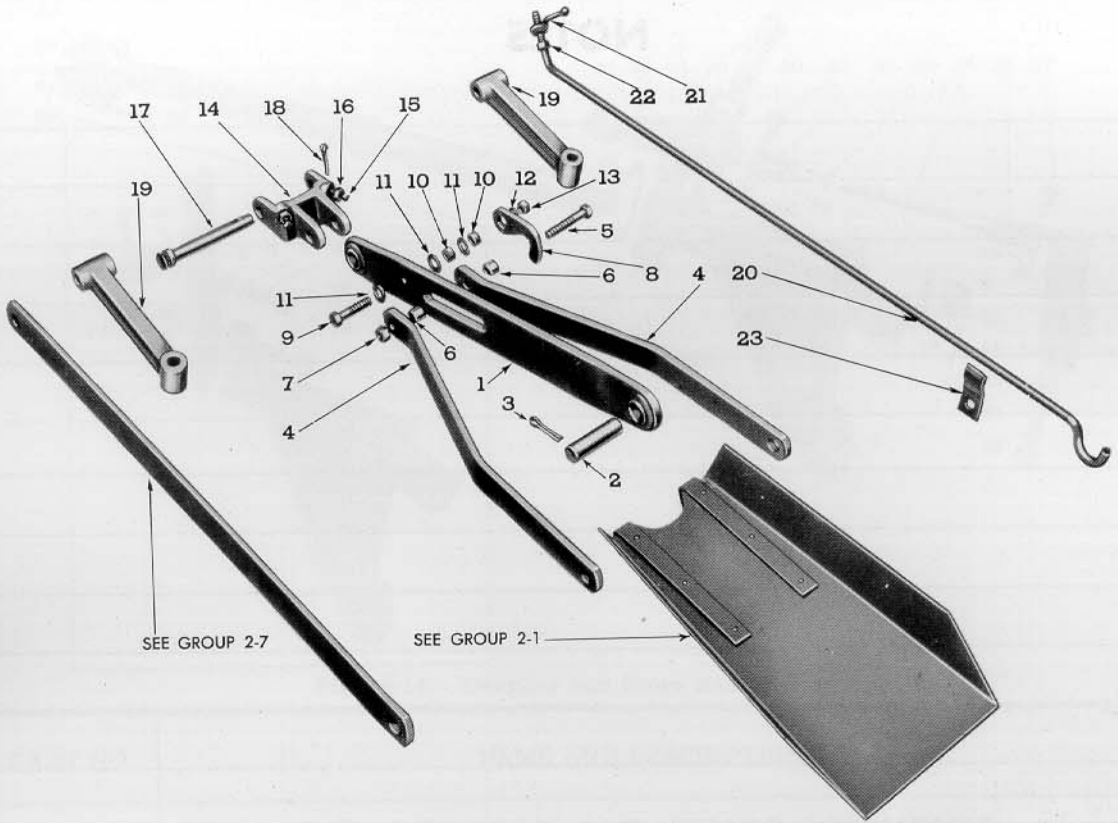


Figure 13 - Upper Link, Brackets and Anchor Straps

FIG. 13	PART NO.	NAME AND DESCRIPTION	QTY. REQ.
Group 2-2—UPPER LINK, BRACKETS AND ANCHOR STRAPS			
1	142703	LINK, Upper (Welded Assembly)	1
2	142710	PIN	1
3	72075-S	COTTER PIN, 1/4" x 1-1/2" } Upper Link to Arm	2
4	142622	STRAP, Anchor	2
5	24554-S7-8	BOLT, 1/2" - 20 x 2-3/4" Hex. Hd. } Anchor Straps to Upper Link	1
6	142666	BUSHING	2
-	34809-S7	LOCKWASHER, 1/2"	1
7	33846-S7-8	NUT, 1/2" - 20 Hex.	1
See Fig. 12	142585	SHAFT	1
8	34763-S	WASHER, 3/4" Flat	2
9	72075-S7-8	COTTER PIN, 1/4" x 1-1/2" } U-Bracket	2
10	142708	HOOK, Upper Link	1
11	24539	BOLT, 1/2" - 20 x 2-1/4" Hex. Hd. }	1
12	142709	SPACER	2
13	34749-S	WASHER, 1/2" Flat	3
14	34809-S7	LOCKWASHER, 1/2"	1
15	33846-S7-8	NUT, 1/2" - 20 Hex.	1
16	141242	BRACKET, Upper Link	1
17	91474-S	SET SCREW, 3/8" - 16 x 1-1/2" Sq. Hd. } Pin to Bracket	2
18	33910-S	NUT, 3/8" - 16 Hex. Jam	2
19	142711	PIN	1
20	72075-S	COTTER PIN, 1/4" x 1-1/2" } Upper Link Bracket to Tractor	1
21	142712	BRACKET, Extension	2
22	142693	ROD ASSEMBLY, Transport	1
23	141653	Handle, Transport Rod	1
	33845-S	NUT, 1/2" - 13 Hex. - Handle Stop	1
	142695	CLIP, Transport Rod to Fender	2

DEARBORN *Mowers*

MODELS 14-15 and 14-16

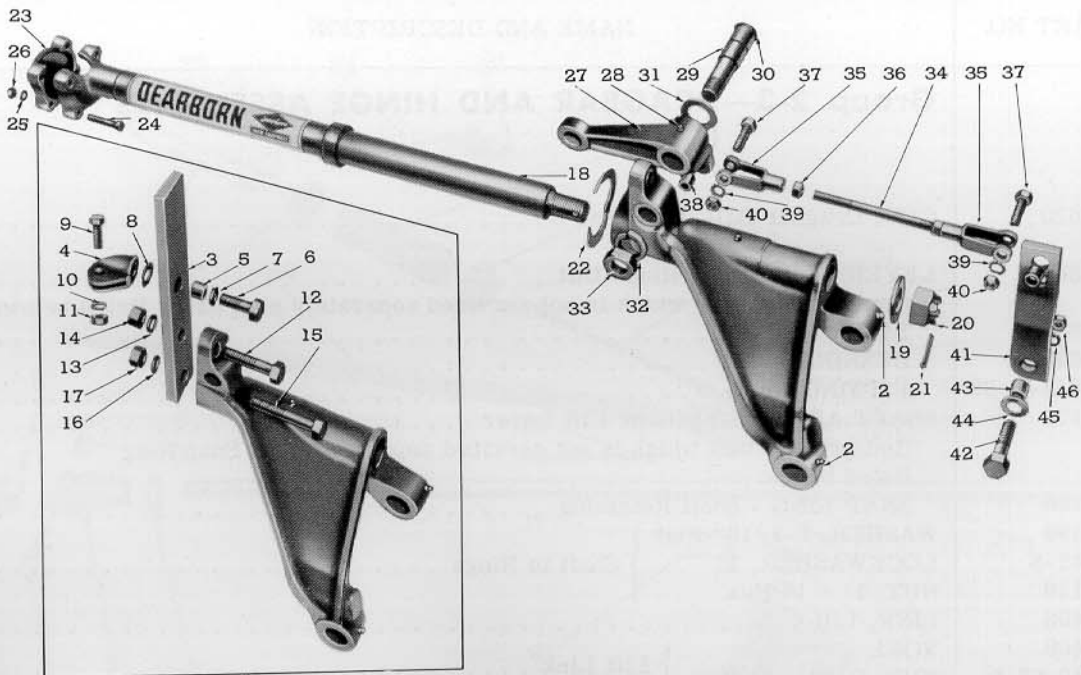


Figure 14 - Dragbar and Hinge Assemblies

FIG. 14	PART NO.	NAME AND DESCRIPTION	QTY. REQ.
Group 2-3—DRAGBAR AND HINGE ASSEMBLIES			
1	141151	HINGE ASSEMBLY	1
		Consists of Hinge which is not serviced separately plus Fitting listed below:	
2	353043-A-S8	FITTING, Lube.	3
3	142691	LEVER, Tilt.	1
-	141658	YOKE ASSEMBLY, Tilt Lever	1
		Consists of:	
4	141659	YOKE, Tilt Lever	1
5	141660	SPACER, Tilt Lever	1
6	300009	CAPSCREW, 5/8" - 11 x 1-5/8" Hex. Hd. } Yoke and Spacer to Tilt Lever.	1
7	34811-S7-8	LOCKWASHER, 5/8" }	
8	44742-S8	WASHER, 5/8" Flat }	
9	24473-S7-8	BOLT, 1/2" - 20 x 1-1/2" Hex. Hd. } Yoke to Tilt Link.	1
10	34809-S7	LOCKWASHER, 1/2" }	
11	33846-S7-8	NUT, 1/2" - 20 Hex. }	
12	300019	BOLT, 5/8" - 18 x 2-1/2" Hex. Hd. } Tilt Lever to Hinge	1
13	34811-S7-8	LOCKWASHER, 5/8" }	
14	33806-S7-8	NUT, 5/8" - 18 Hex. }	
15	300020	BOLT, 5/8" - 18 x 3-1/2" Hex. Hd. } Tilt Lever to Hinge	1
16	34811-S7-8	LOCKWASHER, 5/8" }	
17	33806-S7-8	NUT, 5/8" - 18 Hex. }	
18	142654	DRAGBAR (Welded Assembly)	1
19	141426	WASHER	
20	34038-S7-8	NUT, 1-1/8" - 12 Castle } Dragbar Retaining	1
21	72073-S7-8	COTTER PIN, 3/16" x 1-1/2" }	
22	142667	WASHER, Dragbar Adjusting	2
23	142699	CUP, Dragbar Outer	1
24	24523	BOLT, 3/8" - 24 x 2" Hex. Hd. } Cup to Dragbar	4
25	34807-S8	LOCKWASHER, 3/8" }	
26	33800-S8	NUT, 3/8" - 24 Hex. }	

DEARBORN *Mowers*

MODELS 14-15 and 14-16

FIG. 14	PART NO.	NAME AND DESCRIPTION	QTY. REQ.
		Group 2-3—DRAGBAR AND HINGE ASSEMBLIES (Cont'd)	
See } Fig. } 12 }	142620	CUP, Dragbar Ball, Neoprene	1
27	142662	LEVER ASSEMBLY, Hinge Lift Consists of Lever which is not serviced separately plus items listed below:	1
--	142664	LINER	1
--	142665	BUSHING	1
28	353043-A-S8	FITTING, Lube	1
29	141178	SHAFT ASSEMBLY, Hinge Lift Lever Consists of Shaft which is not serviced separately plus Snap Ring listed below:	1
30	141196	SNAP RING - Shaft Retaining	1
31	141199	WASHER, 1-3/16" Flat } 32 34815-S LOCKWASHER, 1" } Shaft to Hinge	1
33	141159	NUT, 1" - 14 Hex. }	
34	141408	LINK, Lift	1
35	141409	YOKE } 36 33846-S7-8 NUT, 1/2" - 20 Hex. } Lift Link	2
37	300010	BOLT, 1/2" - 20 x 1-5/8" Hex. Hd. }	
38	142666	BUSHING } 39 34944-S7-8 LOCKWASHER, 1/2" Shakeproof } Lift Link Yoke to Hinge Lift Lever 40 33943-S7-8 NUT, 1/2" - 20 Jam } and Inner Shoe Lift Lever	2
41	142639	LEVER, Inner Shoe Lift	1
42	21065-S	BOLT, 5/8" - 18 x 2" Hex. Hd. }	
43	141033	SPACER } 44 44742-S8 WASHER, 5/8" Flat } Lever to Inner Shoe	1
45	34811-S7-8	LOCKWASHER, 5/8" }	
46	33806-S7-8	NUT, 5/8" - 18 Hex. }	

DEARBORN *Mowers*

MODELS 14-15 and 14-16

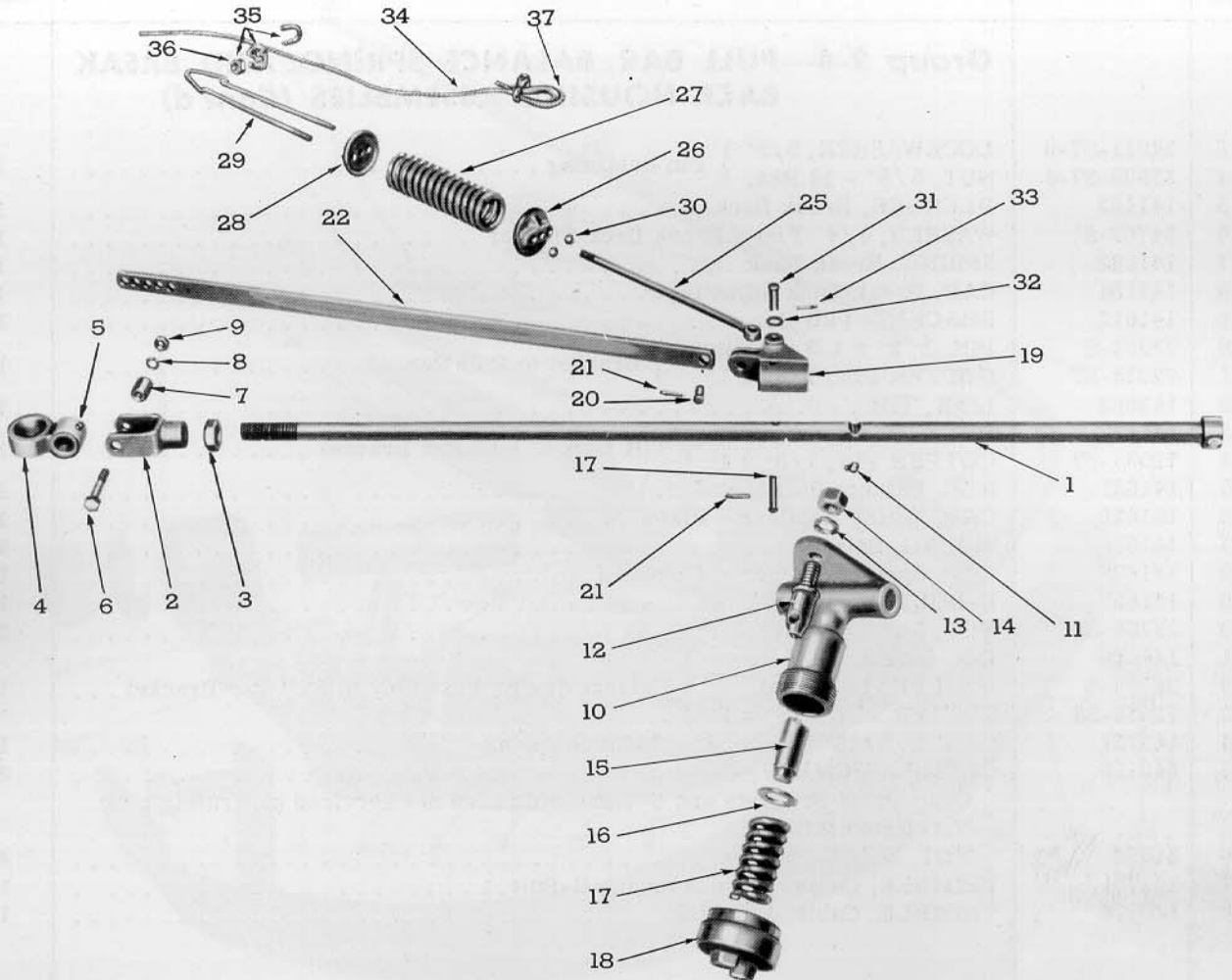


Figure 15 - Pull Bar, Balance Spring and Break Back Housing Assemblies

FIG. 15	PART NO.	NAME AND DESCRIPTION	QTY. REQ.
Group 2-4—PULL BAR, BALANCE SPRING, AND BREAK BACK HOUSING ASSEMBLIES			
1	142675	PULL BAR (Welded Assembly)	1
2	141615	YOKE, Pull Bar (Welded Assembly)	1
3	33955-S7	NUT, 1-1/8" - 12 Jam - Pull Bar Yoke Retaining	1
4	142658	EYE ASSEMBLY, Pull Bar	1
Consists of Eye which is not serviced separately plus Fitting listed below:			
5	353043-A-S8	FITTING, Lube	1
6	300013	BOLT, 1/2" - 20 x 2-11/16" Hex. Hd. } Pull Bar Yoke to Eye	1
7	142677	SPACER	
8	34809-S7	LOCKWASHER, 1/2"	
9	33846-S7-8	NUT; 1/2" - 20 Hex.	
10	141240	HOUSING ASSEMBLY, Break Back	1
Consists of Housing which is not serviced separately plus Fitting listed below:			
11	300012	FITTING, Lube	1
12	141185	PIN, Break Back Housing Shoulder	1

DEARBORN *Mowers*

MODELS 14-15 and 14-16

FIG. 15	PART NO.	NAME AND DESCRIPTION	QTY. REQ.
Group 2-4—PULL BAR, BALANCE SPRING, AND BREAK BACK HOUSING ASSEMBLIES (Cont'd)			
13	34811-S7-8	LOCKWASHER, 5/8" } Pin Retaining	1
14	33806-S7-8	NUT, 5/8" - 18 Hex. }	1
15	141183	PLUNGER, Break Back	1
16	34763-S	WASHER, 3/4" Flat - Break Back Plunger	1
17	141182	SPRING, Break Back	1
18	141184	CAP, Break Back Adjusting	1
19	141612	BRACKET, Pull Bar	1
20	73995-S	PIN, 1/2" x 1-3/4" Clevis } Bracket to Pull Bar	1
21	72035-S7	COTTER PIN, 1/8" x 1" }	1
22	142692	LINK, Tilt	1
23	141427	PIN, Clevis } Tilt Link to Pull Bar Bracket	1
24	72035-S7	COTTER PIN, 1/8" x 1" }	1
25	141631	ROD, Balance Spring End	1
26	141628	CAP, Spring Retainer - Plain	1
27	141630	SPRING, Balance	1
28	141629	CAP, Spring Retainer - Threaded	1
29	141627	U-BOLT, 3/8" - 16	1
30	33799-S8	NUT, 3/8" - 16 Hex.	2
31	141619	PIN, Clevis } Balance Spring Assembly to Pull Bar Bracket . . .	1
32	34709-S	WASHER, 1/2" Flat }	1
33	72035-S8	COTTER PIN, 1/8" x 1" }	1
34	142727	CABLE, 5/16" Dia. x 38" - Balance Spring	2
35	140116	CLAMP ASSEMBLY, Cable	2
<p style="text-align: center;">Consists of Brackets and U-Bolts which are not serviced separately plus Nuts listed below:</p>			
36	34056	NUT, 5/16" - 18 Hex.	4
37	142701	THIMBLE, Cable, Balance Spring U-Bolt	1
38	140214	THIMBLE, Cable, Lift Link	1

DEARBORN *Mowers*

MODELS 14-15 and 14-16

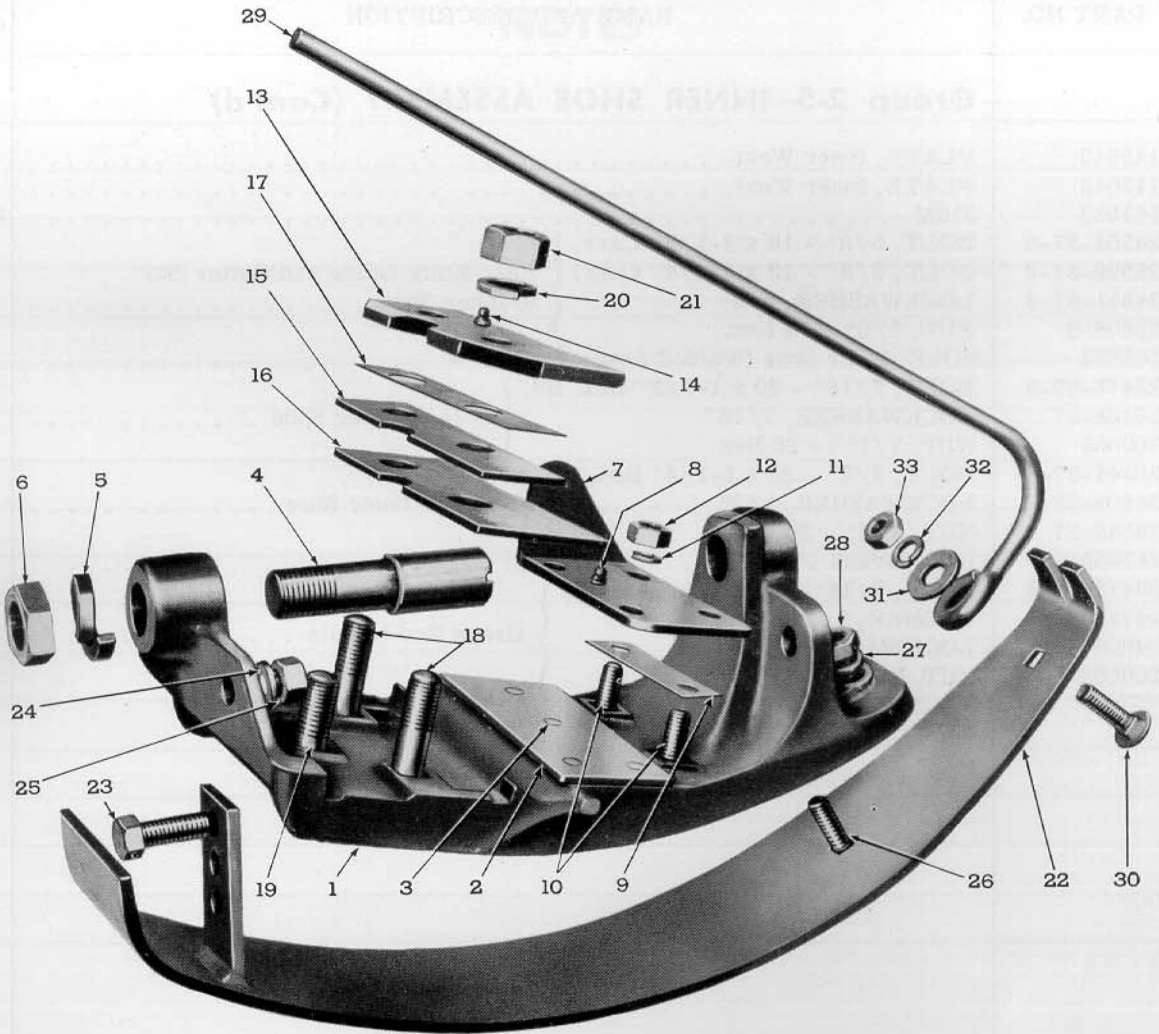


Figure 16 - Inner Shoe Assembly

FIG. 16	PART NO.	NAME AND DESCRIPTION	QTY. REQ.
		Group 2-5—INNER SHOE ASSEMBLY	
1	141156	SHOE ASSEMBLY, Inner (Riveted)	1
2	142572	Consists of Shoe which is not serviced separately plus items listed below:	
2	141042	PLATE, Inner Shoe Ledger (Opt. with 141042)	1
3	62303-S	PLATE, Inner Shoe Ledger (Opt. with 142572)	4
4	141158	RIVET, 3/16" x 7/8" - Plate to Shoe	2
5	34815-S	} Hinge Pin Retaining	2
6	141159		
7	141029	NUT, 1" - 14	1
		GUIDE ASSEMBLY, Front Knife	
8	353043-A-S8	Consists of Guide which is not serviced separately plus Fitting listed below:	
9	141031	FITTING, Lube	1
10	23473-S7-8	SHIM, Front Knife Guide	As Req
11	34808-S7	} Front Knife Guide to Inner Shoe	2
12	300003		
13	142640	BOLT, 7/16" - 20 x 1-1/2" Carr.	1
		LOCKWASHER, 7/16"	
		NUT, 7/16" - 20 Hex.	
		GUIDE ASSEMBLY, Rear Knife	1
		Consists of Guide which is not serviced separately plus Fitting listed below:	
14	353043-A-S8	FITTING, Lube	1

DEARBORN *Mowers*

MODELS 14-15 and 14-16

FIG. 16	PART NO.	NAME AND DESCRIPTION	QTY. REQ.
Group 2-5—INNER SHOE ASSEMBLY (Cont'd)			
15	142642	PLATE, Inner Wear	1
16	142643	PLATE, Inner Wear	1
17	141038	SHIM	As Req.
18	23554-S7-8	BOLT, 5/8" - 18 x 2-1/2" Carr. }	2
19	23509-S7-8	BOLT, 5/8" - 18 x 1-3/4" Carr. } Rear Knife Guide and Cutter Bar	1
20	34811-S7-8	LOCKWASHER, 5/8" } to Inner Shoe	3
21	33806-S	NUT, 5/8" - 18 Hex. }	3
22	141675	SOLE, Inner Shoe (Welded Assembly)	1
23	23473-S7-8	BOLT, 7/16" - 20 x 1-1/2" Hex. Hd. }	1
24	34808-S7	LOCKWASHER, 7/16" } Sole to Inner Shoe	1
25	300003	NUT, 7/16" - 20 Hex. }	1
26	30544-S7-8	BOLT, 1/2" - 20 x 1-1/4" Hex. Hd. }	1
27	34809-S7	LOCKWASHER, 1/2" } Sole to Inner Shoe	1
28	33846-S7	NUT, 1/2" - 20 Hex. }	1
29	141655	ROD, Grass	1
30	23473-S7-8	BOLT, 7/16" - 20 x 1-1/2" Carr. }	1
31	44732-S	WASHER, 7/16" Flat } Grass Rod to Sole	1
32	34808-S	LOCKWASHER, 7/16" }	1
33	300003	NUT, 7/16" - 20 Hex. }	1

DEARBORN *Mowers*

MODELS 14-15 and 14-16

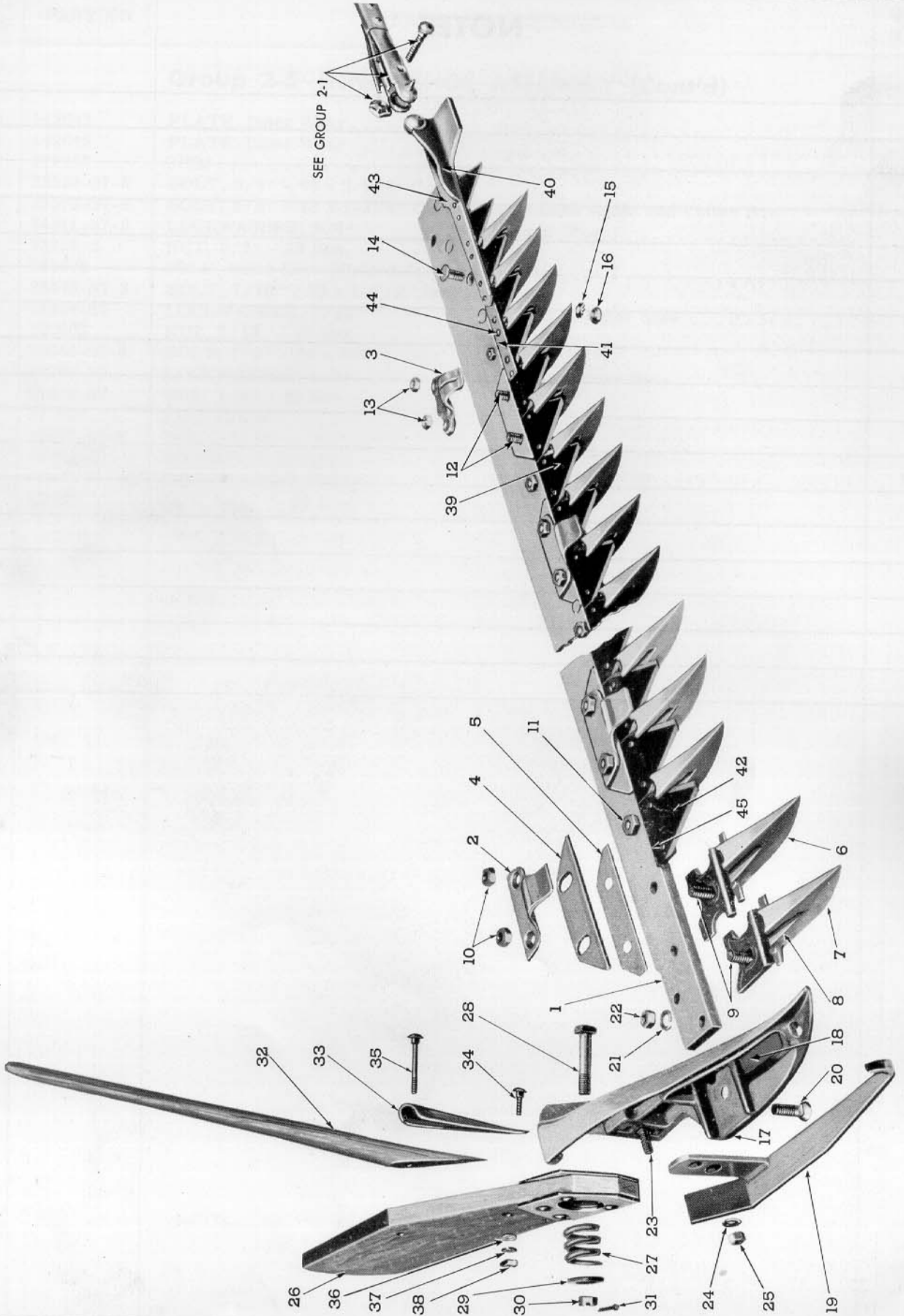


Figure 17 - Cutter Bar, Knife and Outer Shoe Assemblies

DEARBORN *Mowers*

MODELS 14-15 and 14-16

FIG. 17	PART NO.	NAME AND DESCRIPTION	QTY. REQ.	
			14-15	14-16
		Group 2-6—CUTTER BAR, KNIFE AND OUTER SHOE ASSEMBLIES	14-15	14-16
-	142636	CUTTER BAR and OUTER SHOE ASSEMBLY, 6'	1	
-	142637	CUTTER BAR and OUTER SHOE ASSEMBLY, 7'		1
		Consists of:		
1	140474	BAR, Cutter, 6'	1	
-	140475	BAR, Cutter, 7'		1
2	141007	CLIP, Knife - Plain	5	6
3	141008	CLIP, Knife - Inner	1	1
4	141021	PLATE, Wear	6	7
5	141015	SHIM, .050	6	7
6	141009	GUARD ASSEMBLY, Rock	22	26
-	140470	GUARD ASSEMBLY, Plain	22	26
-	140472	GUARD ASSEMBLY, Plain - Outer	1	1
7	141013	GUARD ASSEMBLY, Rock - Outer	1	1
		Consists of Guard which is not serviced separately plus items listed below:		
8	142570	PLATE, Ledger (Opt. with 141011)	23	27
-	141011	PLATE, Ledger (Opt. with 142570)	23	27
-	141012	RIVET, Ledger Plate to Rock Guard	23	27
9	355708-S7-8	BOLT, 7/16" - 20 x 1-1/2" Plow } Plain Clip to Cutter Bar and		
10	300003	NUT, 7/16" - 20 Hex. } Rock Guard	10	12
11	350690-S7-8	BOLT, 7/16" - 20 x 1-1/4" Plow } Rock Guard to Cutter Bar	9	11
11	300003	NUT, 7/16" - 20 Hex. }		
12	350693-S7-8	BOLT, 7/16" - 20 x 1-3/4" Plow } Inner Clip to Cutter Bar and		
13	300003	NUT, 7/16" - 20 Hex. } Rock Guard	2	2
14	300372	BOLT, 7/16" - 20 x 1-1/4" Rib Neck Plow } Guard to Cutter Bar. .	2	2
15	34958-S	LOCKWASHER, 7/16" Shakeproof }		
16	141044	NUT, 7/16" - 20 }		
17	141016	SHOE ASSEMBLY, Outer	1	1
		Consists of Shoe which is not serviced separately plus items listed below:		
18	142571	PLATE, Ledger	1	1
--	141019	RIVET, .210 x 11/16" } Plate to Shoe	1	1
--	141020	RIVET, .210 x 1-3/16" }		
19	141022	SOLE, Outer Shoe (Welded Assembly)	1	1
20	355708-S7-8	BOLT, 7/16" - 20 x 1-1/2" Plow } Outer Shoe to Cutter Bar	2	2
21	34808-S7	LOCKWASHER, 7/16" }		
22	33792-S7	NUT, 7/16" - 20 Hex. }		
23	23440-S7-8	BOLT, 3/8" - 16 x 1-1/4" Carr. } Sole to Outer Shoe Assembly . .	1	1
24	34807-S8	LOCKWASHER, 3/8" }		
25	33799-S8	NUT, 3/8" - 16 Hex. }		
--	142644	SWATHBOARD and FITTING ASSEMBLY	1	1
		Consists of:		
26	142645	SWATHBOARD (Riveted Assembly)	1	1
27	140443	SPRING, Swathboard	1	1
28	142650	BOLT, 1/2" - 13 x 2-3/4" Sq. Hd. } Swathboard and Spring to	1	1
29	141327	WASHER }	2	2
30	33982-S7-8	NUT, 1/2" - 13 Hex. Slotted } Outer Shoe	1	1
31	72035-S7-8	COTTER PIN, 1/8" x 1" }	1	1
32	142651	STICK, Grass	1	1
33	142652	CLAMP, Grass Stick	1	1
34	23438-S	BOLT, 5/16" - 18 x 1-1/4" Carr. } Grass Stick and Clamp to	1	1
35	23543-S	BOLT, 5/16" - 18 x 2-1/2" Carr. }	1	1
36	44723-S8	WASHER, 5/16" Flat } Swathboard.	2	2
37	34806-S8	LOCKWASHER, 5/16" }	2	2
38	33797-S7	NUT, 5/16" - 18 Hex. }	2	2

DEARBORN *Mowers*

MODELS 14-15 and 14-16

FIG. 17	PART NO.	NAME AND DESCRIPTION	QTY. REQ.	
			14-15	14-16
Group 2-6—CUTTER BAR, KNIFE AND OUTER SHOE ASSEMBLIES (Cont'd)				
39	142668	KNIFE ASSEMBLY, 6' Underserrated Sections	1	
--	142669	KNIFE ASSEMBLY, 7' Underserrated Sections		1
--	142713	KNIFE ASSEMBLY, 6' Plain Sections	1	
--	142714	KNIFE ASSEMBLY, 7' Plain Sections		1
Consists of:				
40	142670	HEAD, Knife (Welded Assembly)	1	1
--	141121	RIVET - Knife Head to Back	3	3
41	141110	REINFORCEMENT, Knife Head	1	1
--	141111	BACK, Knife, 6'	1	
--	141112	BACK, Knife, 7'		1
42	141113	KNIFE, Underserrated.	24	28
--	141682	KNIFE, Plain	24	28
43	141115	RIVET - Knife Section to Back	5	5
44	142673	RIVET - Knife Section to Back to Head	7	7
45	141116	RIVET - Knife Section to Back	41	49

DEARBORN *Mowers*

MODELS 14-15 and 14-16

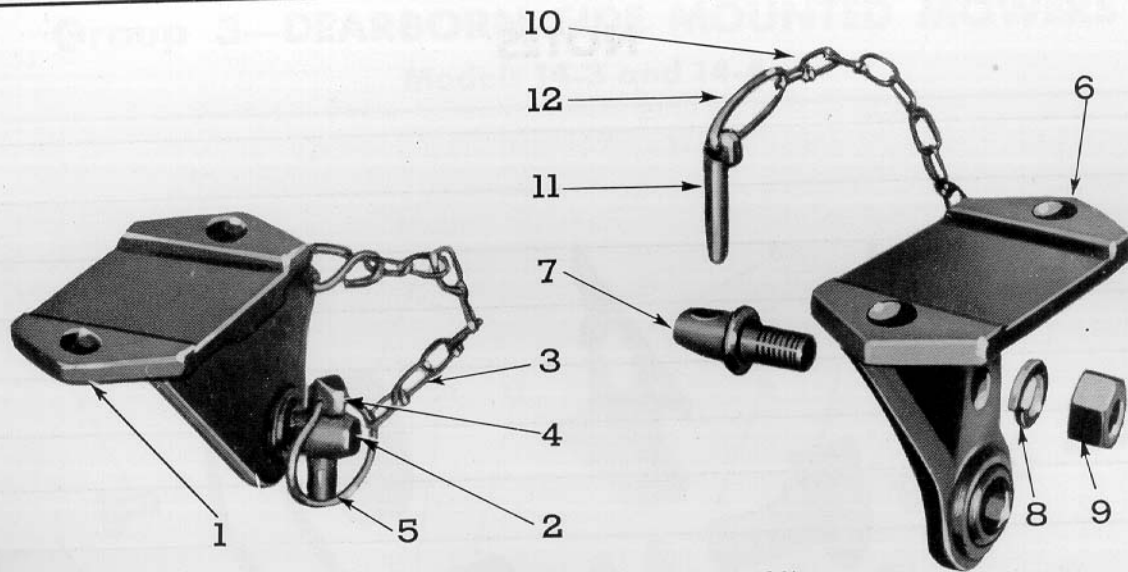


Figure 18 - Anchor Bracket Assemblies

FIG. 18	PART NO.	NAME AND DESCRIPTION	QTY. REQ.
Group 2-7—ANCHOR BRACKET ASSEMBLIES			
1	141561	BRACKET ASSEMBLY, LH Anchor	1
		Consists of Bracket which is not serviced separately plus items listed below:	
2	230044	PIN, Anchor	1
2	34811-S7-8	LOCKWASHER, 5/8" } Anchor Pin to Bracket	1
2	33806-S7-8	NUT, 5/8" - 18 Hex. }	1
3	142210	CHAIN ASSEMBLY	1
4	2N-574	PIN, Linch	1
5	2N-575	RING, Linch Pin	1
6	141186	BRACKET and BALL ASSEMBLY, RH Anchor	1
7	230044	PIN, Anchor	1
8	34811-S7-8	LOCKWASHER, 5/8" } Anchor Pin to Bracket	1
9	33806-S7-8	NUT, 5/8" - 18 Hex. }	1
10	142210	CHAIN ASSEMBLY	1
11	2N-574	PIN, Linch	1
12	2N-575	RING, Linch Pin	1
See Fig. 13	230042	LINK, Stabilizer	1